

# 8K Two-Input Dual View HDMI Splitter

**User Manual**

**VER 1.0**

## Thank you for purchasing this product

For optimum performance and safety, please read these instructions carefully before connecting, operating or adjusting this product. Please keep this manual for future reference.

## Surge protection device recommended

This product contains sensitive electrical components that may be damaged by electrical spikes, surges, electric shock, lighting strikes, etc. Use of surge protection systems is highly recommended in order to protect and extend the life of your equipment.

## Table of Contents

<b>1. Introduction.....</b>	<b>1</b>
<b>2. Features.....</b>	<b>1</b>
<b>3. Package Contents.....</b>	<b>1</b>
<b>4. Specifications.....</b>	<b>2</b>
<b>5. Operation Controls and Functions.....</b>	<b>3</b>
<b>6. Application Example.....</b>	<b>5</b>

## 1. Introduction

This 8K Two-Input Dual View HDMI Splitter can not only switch any of the two HDMI input signals, but also distribute it to two displays simultaneously. It supports video resolution up to 8K@60Hz 4:2:0. As able to be used either as a splitter or a switcher, this multi-functional product can be widely applied in scenarios of demonstration, video conference, multimedia teaching and other occasions requiring for big-screen demonstration.

## 2. Features

- ☆ HDMI 2.1 and HDCP 2.3 compliant
- ☆ Support 40Gbps video bandwidth
- ☆ Support video resolution up to 8K@60Hz 4:2:0
- ☆ Support HDR, HDR10, HDR10+, Dolby Vision, ALLM/VRR pass through
- ☆ Support HDMI audio formats: LPCM 7.1CH, Dolby TrueHD, and DTS-HD Master Audio
- ☆ 2x1 Switch with Dual Output
- ☆ Built-in Equalizer, Retiming and Driver
- ☆ Auto EDID management
- ☆ Compact design for easy and flexible installation

## 3. Package Contents

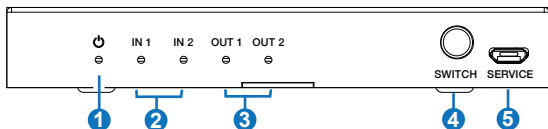
- ① 1 × 8K Two-Input Dual View HDMI Splitter
- ② 1 × 5V/1A Integrated Power Adaptor
- ③ 1 × User Manual

## 4. Specifications

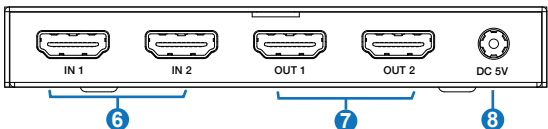
<b>Technical</b>	
HDMI Compliance	HDMI 2.1
HDCP Compliance	HDCP 2.3
Video Bandwidth	40Gbps
Video Resolution	Up to 8K@60Hz YCBCR 4:2:0 10bit, 8K30 RGB/ YCBCR 4:4:4 10bit or,4K120 RGB/YCBCR 4:4:4 10bit
Color Depth	8-bit,10-bit,12-bit
Color Space	RGB, YCbCr 4:4:4 / 4:2:2. YCbCr 4:2:0
HDMI Audio Formats	LPCM, Dolby Digital/Plus/EX, Dolby True HD, DTS, DTS-EX, DTS-96/24, DTS High Res, DTS-HD Master Audio, DSD
<b>Connection</b>	
Input	2×HDMI IN [Type A, 19-pin female]
Output	2×HDMI OUT [Type A, 19-pin female]
Control	1×SERVICE [Micro USB, Update port]
<b>Mechanical</b>	
Housing	Metal Enclosure
Silkscreen Color	Black
Dimensions	115mm (W) × 68mm (D) × 18mm (H)
Weight	220g
Power Supply	Input: AC100 - 240V 50/60Hz, Output: DC 5V/1A (US/EU standards, CE/FCC/UL certified)
Power Consumption	2.25W (Max)
Operation Temperature	0°C ~ 40°C / 32°F ~ 104°F
Storage Temperature	-20°C ~ 60°C / -4°F ~ 140°F
Relative Humidity	20~90% RH (non-condensing)

## 5. Operation Controls and Functions

### Front Panel



### Rear Panel

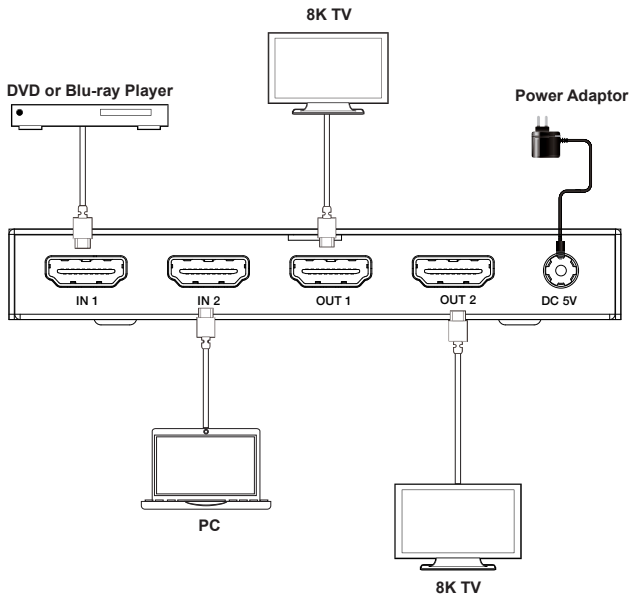


No.	Name	Function Description
1	POWER LED	When the device is powered on, the red LED will be on.
2	IN LED (1~2)	When the HDMI IN 1/2 port connects an active source device, the corresponding green LED will be on.
3	OUT LED (1~2)	When the HDMI OUT 1/2 port connects an active display device, the corresponding green LED will be on.
4	SWITCH	Pressing this button will allow the device to switch any of the two HDMI input signals and distribute it to two displays simultaneously.
5	SERVICE	Firmware update port.
6	IN (1~2) port	HDMI signal input port, connect to HDMI source device such as DVD or PS5 with an HDMI cable.
7	OUT (1~2) port	HDMI signal output port, connect to HDMI display device such as TV or Monitor with an HDMI cable.
8	DC 5V	DC 5V Power input port.

**Note:**

1. When the device is powered on, it will start to work. Both OUT1 and OUT2 are defaulted to output the source signal from the IN1 port.
2. The device supports memory function in case of power-down.
3. AUTO SWITCH: When there is no input signal, empty switching is allowed; when there is input signal detected, the device will switch to the latest source signal automatically.
4. Ports of IN1, IN2, and OUT1 support CEC function.
5. After comparing the EDID of two output signals, the device prefers to output the one with lower definition.
6. When the software needs to be updated, it can be updated through the SERVICE port.

## 6. Application Example



The terms HDMI and HDMI High-Definition Multimedia interface, and the HDMI Logo are trademarks or registered trademarks of HDMI Licensing LLC in the United States and other countries.