

Nestable Container

Standard Specifications:

- 14 Ga Container
- 12 Ga Interlocking Banding and Bottom
- 10 Ga Caster Plates
- 7 Ga Bumper Pads
- 6" MOR Casters or Channel Skids
- 1.5" Drain Plug (Bottom, Right, or Center)
- .5" Lid Rod with lock Washers
- Fully Welded
- Single-Wall PRT Plastic Lid
- Manufactured using Prime Steel
- Rust Inhibitive Primer (In & Out) OR Underseal (Inside)

Additional Specifications for Front Loader:

- 11 Gauge Fork Pockets
- 10 Gauge Gussets
- Channel Skids

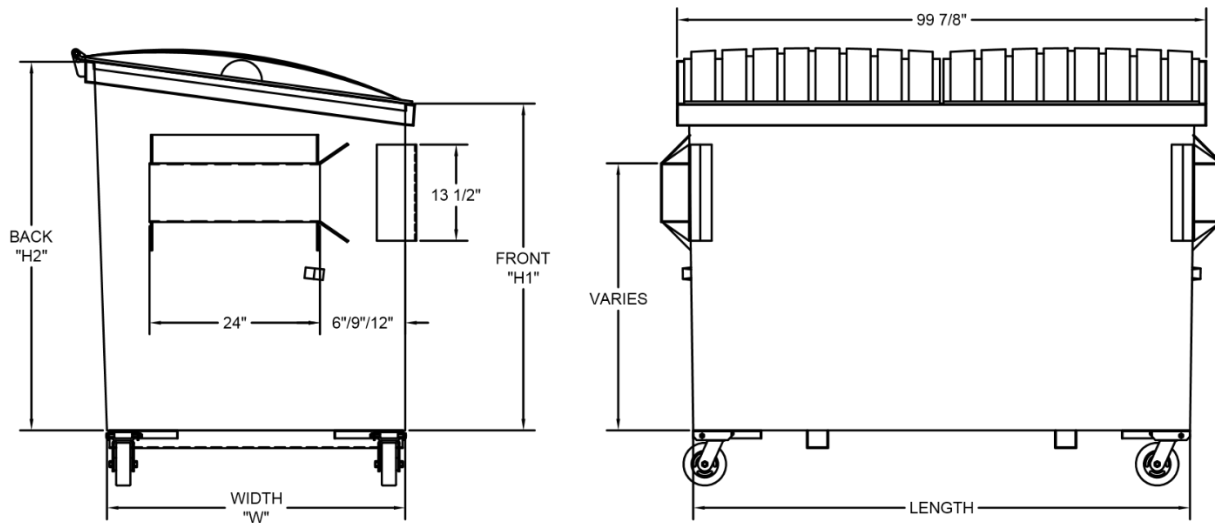
Additional Options Upon Request:

- Heavier Gauge (Bottom or Entire Container)
- Casters using Polyurethane, Polyolefin, Pneumatic, Steel, and MOR
- Lids utilizing Double Wall Plastic, Metal, Bear Resistant, and Recycling
- Lid Locks as well as Lid Savers (Manual or Automatic)
- Fork Pockets, Entry Gussets, Channel Straps, or Channel Covers
- Recycling Dividers or Baffles
- Custom Paint and Primer
- ID Weld or Stencil



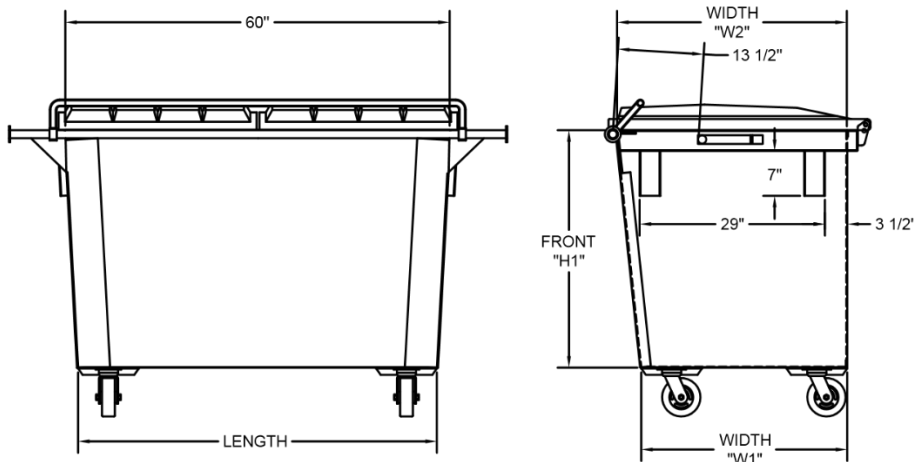
McLaughlin Waste Equipment, INC.
11900 E. Locke Rd. Lockeford, Ca 95237
Office: (209) 367-8810 Fax: (209) 367-8629

www.mwecans.com



Pitchtop Nestable

PRODUCT #	SIZE YDS	FRONT "H1"	BACK "H2"	WIDTH "W"	LENGTH TYP.	WEIGHT APPROX.
PT1.5YD	1 1/2 YDS	30"	36"	30"	70 3/4"	350#
PT2YD	2 YDS	34"	40 3/4"	34"	70 3/4"	380#
PT3YD	3 YDS	43"	48"	42"	70 3/4"	455#
PT4YD	4 YDS	48 1/2"	54 3/8"	49 1/2"	70 3/4"	530#



Rear Load Nestable

PRODUCT #	LENGTH TYP.	WIDTH "W1"	WIDTH "W2"	HEIGHT "H1"	WEIGHT APPROX.
CRL1.5YD	56"	32"	36"	37"	320#
CRL2YD	56"	37"	40"	40"	350#



Proud member of The California Refuse Removal Council (CRRC), Solid Waste Association of America (SWANA), and The Clara Mateo Garbage Association.

These containers meet or exceed ANSI Z245.3 container safety requirements, and carry a 2 Yr. Warranty.

Note: All specifications are subject to change without notice. Unless stated otherwise in writing, container sizes indicated are nominal sizes. Actual volume may vary from nominal sizes.