

# Compactor Receivers



## **Standard Features:**

- 12 Ga Door
- Bogey Wheels Front & Rear (8" x 8")
- Half 7/10 Ga Front & Sides
- 7 Ga Floor
- Tubing Floor Sill (3" x 3")
- Main Rails (6" x 2" x .25" Tubing)
- Cross Members (16" Centers)
- Tarp Hooks or Tarp Bar
- Compactor Door Opening
- Manufactured using Prime Steel
- Rust Inhibitive Primer (Outside)
- Industrial Enamel Finish Coat

## **Heavy Duty:**

- 7 Ga Front, Sides, & Floor
- Cross Members (16" Centers)

## **Additional Options Upon Request:**

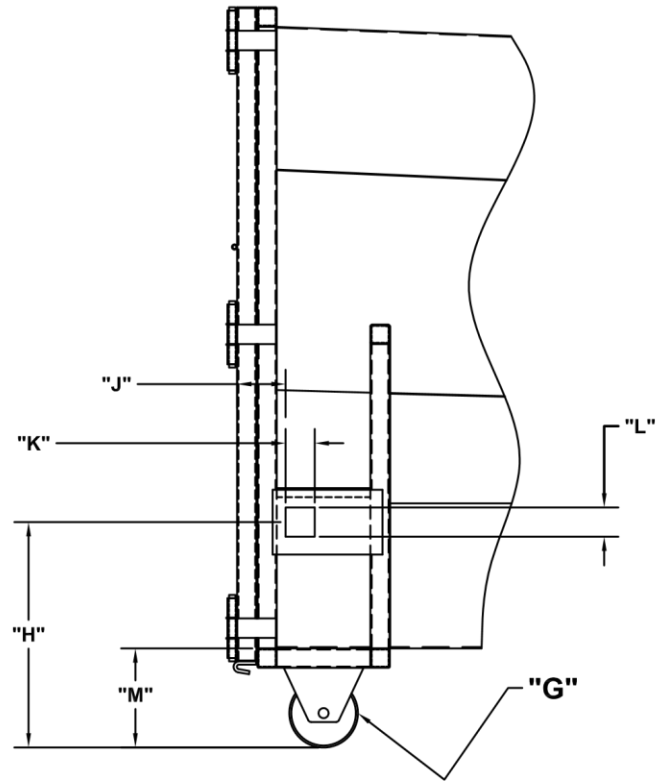
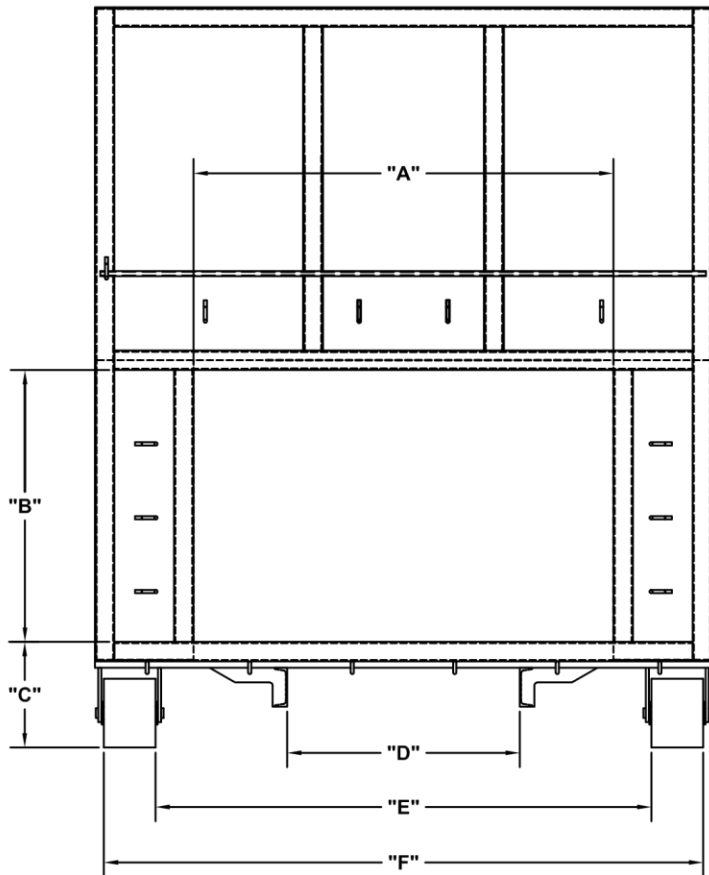
- Compactor Hinged Door or Cover
- Custom Wheels or Stands (with Locks)
- All Types of Hook-Ups Available
- Custom Paint & Primer
- ID Weld or Stencil



**McLaughlin Waste Equipment, INC.**  
11900 E. Locke Rd. Lockeford, Ca 95237  
Office: (209) 367-8810 Fax: (209) 367-8629

[www.mwecans.com](http://www.mwecans.com)

# COMPACTOR REC. SPEC. SHEET - Door Openings & Tie Backs



COMPACTOR/MODEL #

ITEM	DESCRIPTION	DIM. SUGGESTED	CUST. VERIFY
A	OPENING - INSIDE - HORIZONTAL	65"	
B	OPENING - INSIDE - VERTICAL	43"	
C	OPENING - GROUND TO INSIDE BOTTOM	13"	
D	MAIN RAILS (C6X8.2# OR S5X10#) SPACING - INSIDE	36"	
E	*BOOGIE WHEELS - INSIDE (GUIDERAIL DIMS)	STD	
F	*BOOGIE WHEELS - OUTSIDE (GUIDERAIL DIMS)	STD	
G	BOOGIE WHEELS - SIZE	8" X 8"	
H	TIE BACK PLATES - GROUND TO CTR OF OPENING	32"	
J	TIE BACK PLATES - O.S. DOOR TO FRONT OF OPENING	7"	
K	TIE BACK PLATES - OPENING - HORIZONTAL	4"	
L	TIE BACK PLATES - OPENING - VERTICAL	4"	
M	GROUND TO TOP OF FLOOR SILL	12"	
	*OPTIONAL		

ADDITIONAL SPECS:


**SUBMITTED FOR YOUR APPROVAL**

PLEASE CHECK THE PRINT CAREFULLY AND MARK ALL CHANGES REQUIRED. THIS IS A PROPOSAL DRAWING AND WILL NOT BE RELEASED FOR PRODUCTION WITHOUT A SIGNED APPROVAL.

**SIGNED:** \_\_\_\_\_

**DATE:** \_\_\_\_\_

**Proud member of The California Refuse Removal Council (CRRC), Solid Waste Association of America (SWANA), and The Clara Mateo Garbage Association.**

\*\*\*\*\*

These containers meet or exceed ANSI Z245.3 container safety requirements, and carry a 2 Yr. Warranty.

Note: All specifications are subject to change without notice. Unless stated otherwise in writing, container sizes indicated are nominal sizes. Actual volume may vary from nominal sizes.

