

# Rear Load Containers



## **Standard Features:**

- 14 Ga Container & Bottom
- 12 Ga Banding
- 10 Ga Caster Plates
- 11.5" Drain Plug (Bottom, Right, or Center)
- 7 Ga Bumper Pads
- 6" MOR Casters
- 1.5" Drain Plugs
- 1.25" Ø Leach Bar
- Leach Handle
- Full Inseam Weld for Lap-Formed Seams
- Single-Wall PRT Plastic Lid
- Manufactured using Prime Steel
- Rust Inhibitive Primer (In & Out) OR Underseal (Inside)
- Industrial Enamel Finish Coat

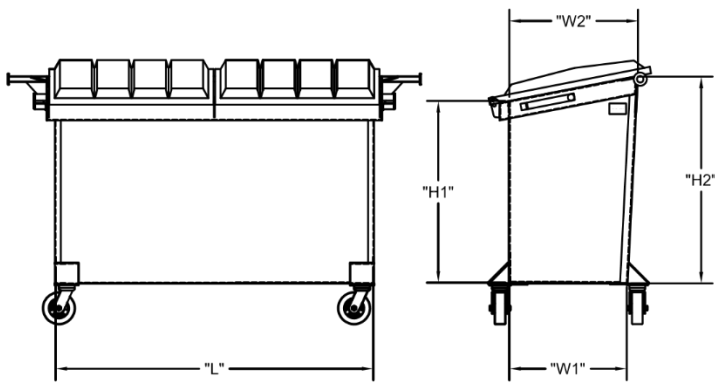
## **Additional Options Upon Request:**

- Heavier Ga (Bottom or Entire Container)
- Fork Pockets for Front Load Conversion
- Casters using Polyurethane, Polyolefin, Pneumatic, Steel, & MOR
- Caster Plates using Heavier Gauge, U-Shape, Wrap Around, & Quick Release
- Lids utilizing Double Wall Plastic, Metal, Bear Resistant, & Recycling
- Dividers or Baffles for Recycling
- Lid Locks as well as Lid Savers (Manual or Automatic)
- Custom Paint & Primer (Various Options Available)
- ID Weld or Stencil

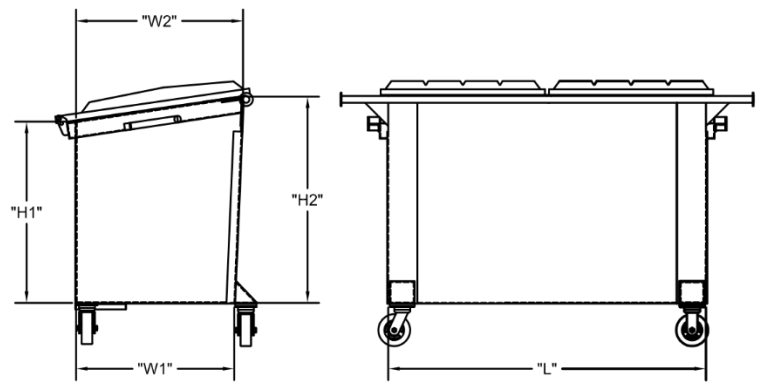


**McLaughlin Waste Equipment, INC.**  
**11900 E. Locke Rd. Lockeford, Ca 95237**  
**Office: (209) 367-8810 Fax: (209) 367-8629**

[www.mwecans.com](http://www.mwecans.com)



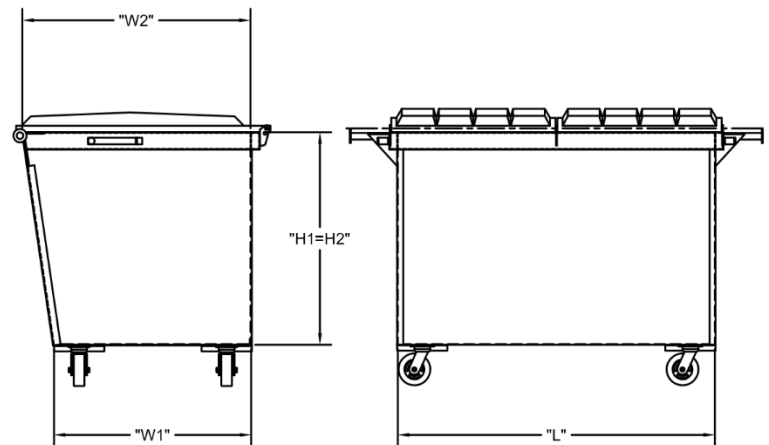
**1 YD REAR LOAD - Rear View**



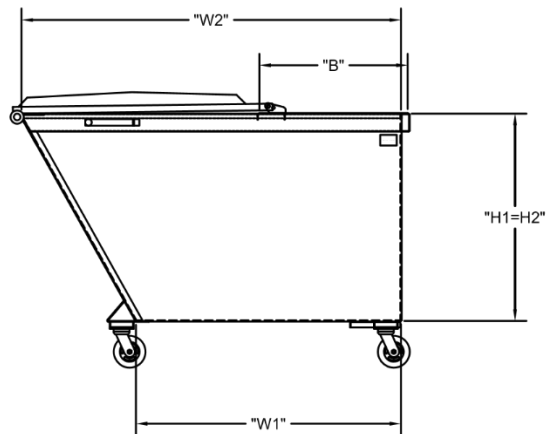
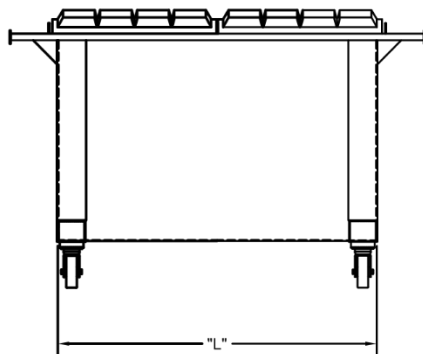
**1 1/2 YD REAR LOAD - Front View**

**Rear Load**

PRODUCT #	LENGTH "L"	WIDTH "W1"	WIDTH "W2"	HEIGHT "H1"	HEIGHT "H2"	BAFFLE "B"	OUT-RIGGERS	WEIGHT APPROX.
CRL1YD	60"	21 3/4"	29"	34"	39"	N/A	4	274#
CRL1.5YD	60"	30"	32 3/4"	34"	39"	N/A	2	307#
CRL2YD	60"	36 3/4"	43 3/4"	40"	40"	N/A	N/A	354#
CRL3YD	60"	49 3/4"	72"	40"	40"	28"	2	482#



**2 YD REAR LOAD - Rear View**



**3 YD REAR LOAD - Front View**



**Proud member of The California Refuse Removal Council (CRRC), Solid Waste Association of America (SWANA), and The Clara Mateo Garbage Association.**

\*\*\*\*\*

These containers meet or exceed ANSI Z245.3 container safety requirements, and carry a 2 Yr. Warranty.

Note: All specifications are subject to change without notice. Unless stated otherwise in writing, container sizes indicated are nominal sizes. Actual volume may vary from nominal sizes.