

FRONT LOAD CONTAINERS



**-Pitch Top
-Flat Top
-Humpback**

Standard Features -

- *14 Gauge - Container
- *12 Gauge - Banding
- *10 Gauge Fork Pockets
- *10 Gauge Gussets & Caster Plates
- *7 Gauge Bumper Pads
- *Plastic Lids - Single Wall PRT
- *6" MOR Casters or Channel Skids (Humpbacks)
- *Lid Holders, Optional
- *Prime Steel
- *12 Gauge - Bottoms
- *Lap-Formed Seams - 16" Inseam Weld
- * 1 1/2" Drain Plug - Bottom-Right-Center
- *Rust Inhibitive Primer - In & Out, OR, Underseal Inside
- *Finish Coat-Industrial Enamel
- *****2 Year Warranty*****

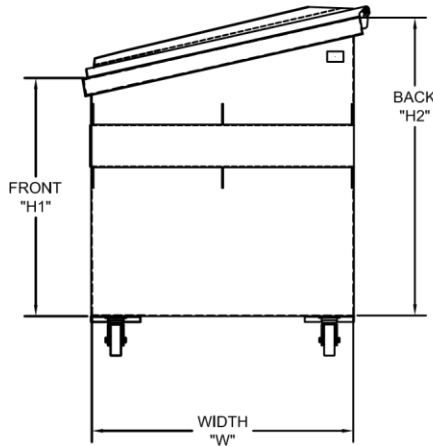
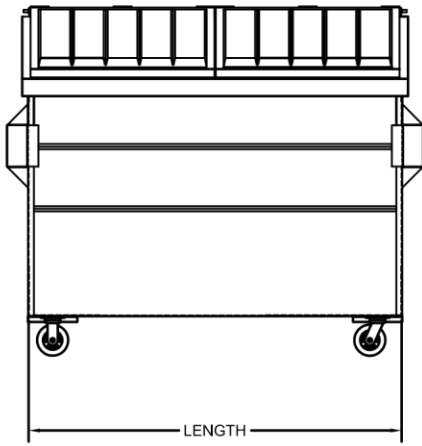


Options -

- LIDS - Double Wall Plastic - Metal - Bear Resistant - Recycling
- LID LOCKS/LID SAVERS - Manual or Automatic
- CASTERS - Polyurethane - Polyolefin - Pneumatic - Steel - MOR
- CASTER PLATES - Heavier - U-Shape - Wrap Around - Quick Release
- RECYCLING - Dividers or Baffles
- HEAVIER GAUGE - Bottoms or Entire Container
- ID WELD/STENCIL - Serial #'s - Names - Capacities - Tare/Net Wt's
- FORK POCKETS - Entry Gussets - Channel Straps - Channel Covers
- Handles - Lifteyes
- PAINT AND PRIMER - Various Options Available



**11900 E. Locke Rd.
Lockeford, Ca. 95237
Office: (209) 367-8810
Fax: (209) 367-8629
www.mwecans.com**

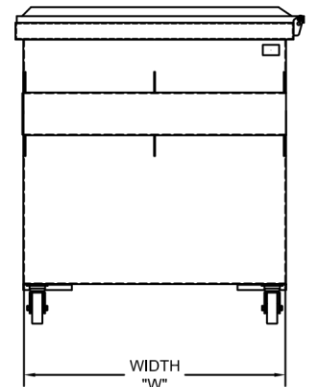
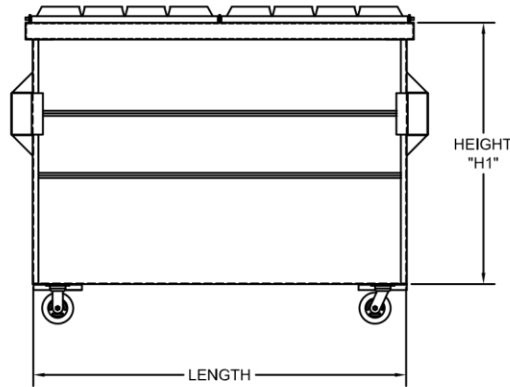


Pitchtop

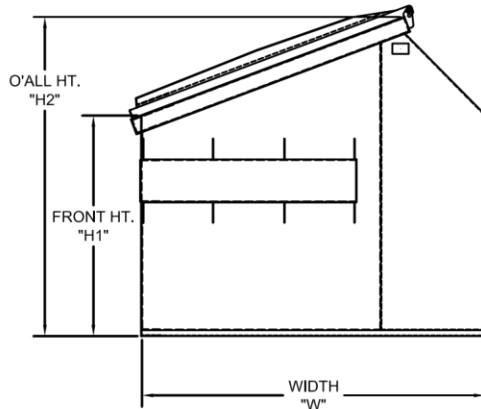
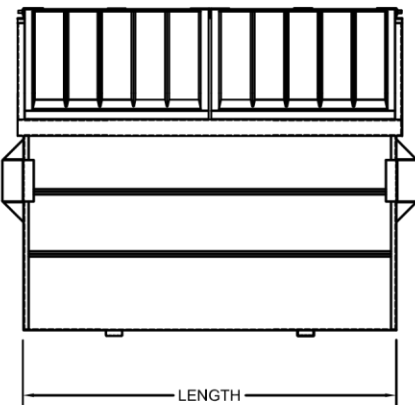
| PRODUCT # | SIZE YDS | FRONT "H1" | BACK "H2" | WIDTH "W" | LENGTH TYP. | WEIGHT APPROX. |
|-----------|-----------|------------|-----------|-----------|-------------|----------------|
| PT1.5YD | 1 1/2 YDS | 29 1/2" | 34 1/2" | 29 1/2" | 72" | 332# |
| PT2YD | 2 YDS | 34 1/2" | 41 1/2" | 34 1/2" | 72" | 389# |
| PT3YD | 3 YDS | 41 1/2" | 50 1/2" | 41 1/2" | 72" | 469# |
| PT4YD | 4 YDS | 46" | 57" | 50 1/2" | 72" | 553# |
| PT5YD | 5 YDS | 50" | 62" | 58" | 72" | 641# |
| PT6YD | 6 YDS | 64" | 71" | 58" | 72" | 668# |

Flattop

| PRODUCT # | SIZE YDS | HEIGHT "H1" | WIDTH "W" | LENGTH TYP. | WEIGHT APPROX. |
|-----------|----------|-------------|-----------|-------------|----------------|
| FT1YD | 1 YD | 28" | 24" | 72" | 283# |
| FT2YD | 2 YD | 38" | 34 1/2" | 72" | 391# |
| FT3YD | 3 YD | 46" | 41 1/2" | 72" | 470# |
| FT4YD | 4 YD | 50 1/2" | 50 1/2" | 72" | 548# |
| FT5YD | 5 YD | 50 1/2" | 58" | 72" | 650# |
| FT6YD | 6 YD | 57" | 68" | 72" | 718# |



Humpback



| PRODUCT # | SIZE YDS | WIDTH "W" | HEIGHT "H1" | HEIGHT "H2" | LENGTH TYP. | WEIGHT APPROX. |
|-----------|----------|-----------|-------------|-------------|-------------|----------------|
| HB5YD | 5 YDS | 66" | 47" | 57" | 72" | 643# |
| HB6YD | 6 YDS | 66" | 51" | 70" | 72" | 700# |
| HB7YD | 7 YDS | 72" | 55" | 73" | 72" | 796# |
| HB8YD | 8 YDS | 72" | 58" | 87" | 72" | 869# |



Proud member of The California Refuse Removal Council (CRR), Solid Waste Association of America (SWANA), and The Clara Mateo Garbage Association.

These containers meet or exceed ANSI Z245.3 container safety requirements, and carry a 2 Yr. Warranty.

Note: All specifications are subject to change without notice. Unless stated otherwise in writing, container sizes indicated are nominal sizes. Actual volume may vary from nominal sizes.